

**Art. T302B+T302A**

**Miscelatore termostatico doccia incasso 1/2"**

- 2 uscite da 1/2"
- maniglie
- ingressi da 1/2"
- doccetta FIT
- flessibile PVC 150 cm

**Parte esterna**

**Finiture:**

- Matt Gun Metal PVD** 48 P5 T302B

**Parte da incasso**

**Finiture:**

- 44 00 T302A

**Progetto:**

---



---

**Stanza:**

---



---

**Data:**

---



---

**Commento:**

---



---



---



---



---



---



---



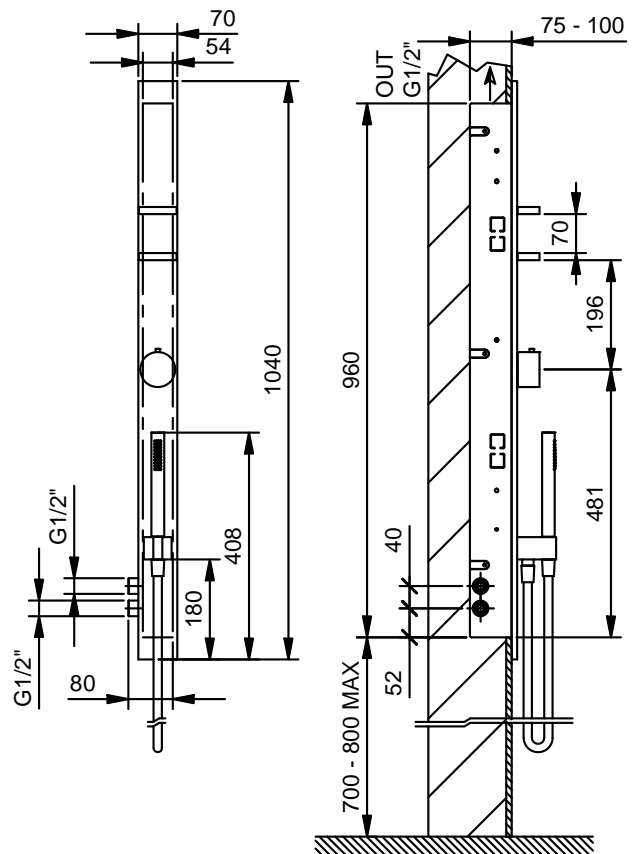
---



---



---



**Certificazioni:**

