

Marchio / Brand ZUCCHETTI

Classe / Class

ISY

## ISY

**ZD1800**

Termostatico incasso doccia con rubinetto d'arresto. / Built-in shower thermostatic shower mixer, with stop valve.



Termostatico incasso doccia da 1/2" con rubinetto d'arresto, per corpo incasso universale Zetasystem R97800.

1/2" built-in shower thermostatic shower mixer, with stop valve. For Zetasystem (R97800) universal built-in body.

**R97800**

Zetasystem - Corpo incasso universale /  
Zetasystem - universal built-in body



## Finiture / Finishes



Cromo / Chrome

Nickel Spazzolato /  
Brushed Nickel

C3

Bianco Opaco Goffrato /  
Embossed Matt White

W1

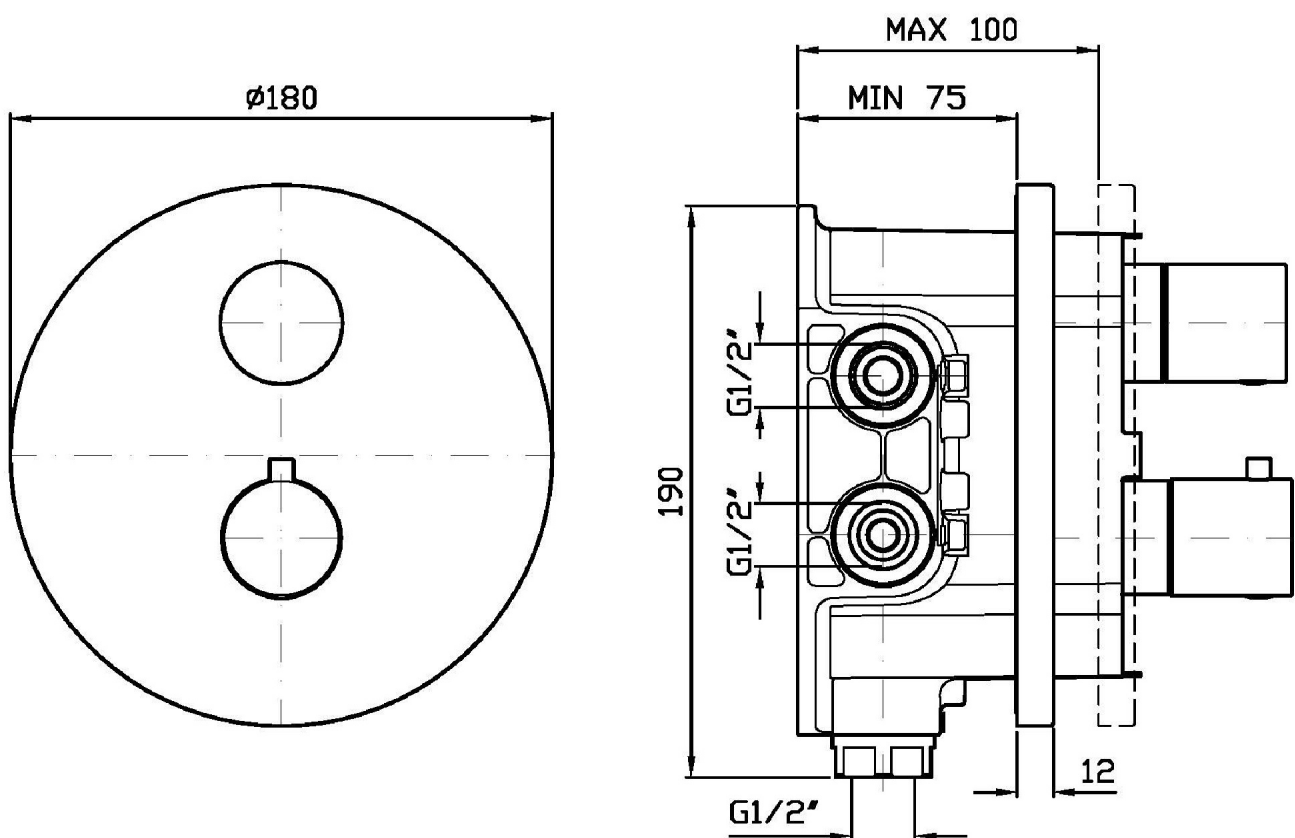
Nero Opaco Goffrato /  
Embossed Matt Black

N1

## ISY

ZD1800

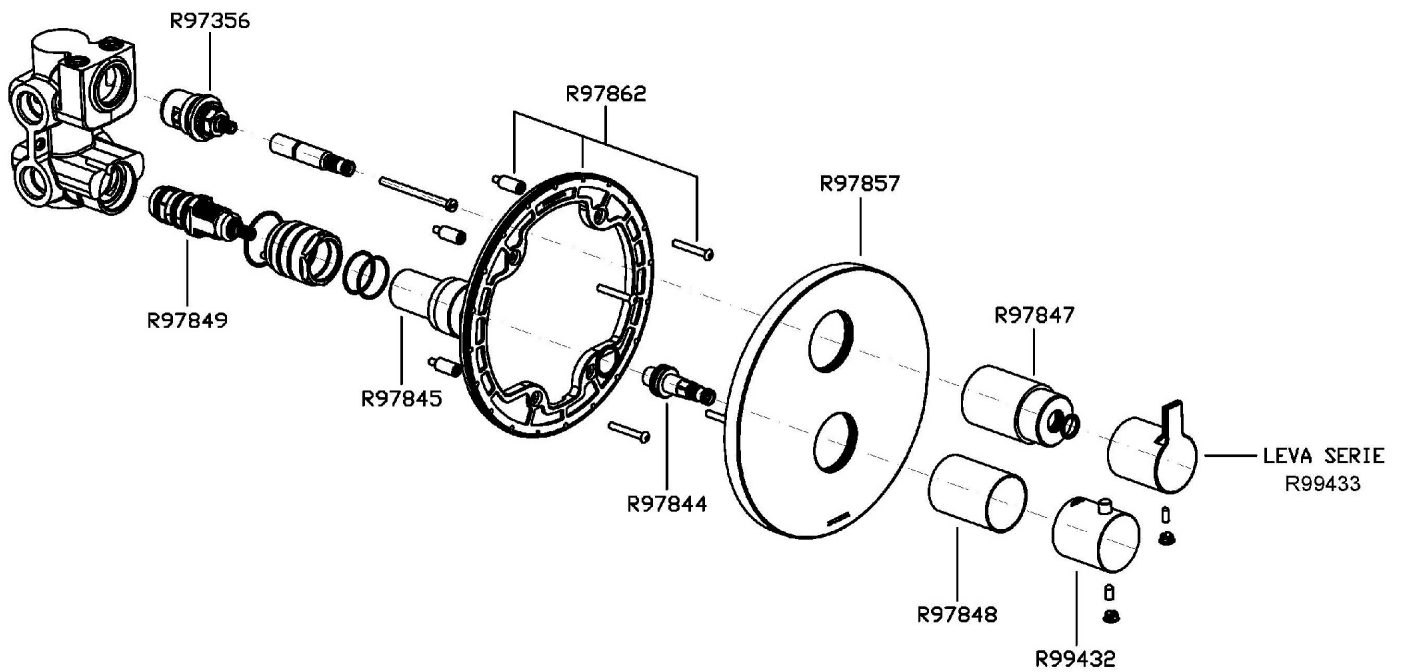
Disegno Complessivo / Overall Drawing



## ISY

ZD1800

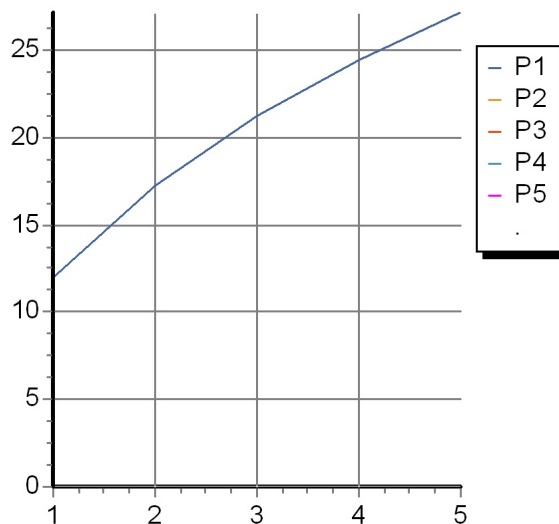
Esplosi / Exploded



## ISY

### ZD1800 Portate / Flowrates (lt/min)

PRESSIONE PRESSURE	1 BAR	2 BAR	3 BAR	4 BAR	5 BAR
DEVIATORE DIVERTER	12	17,3	21,3	24,5	27,2
P1					
P2					
P3					
P4					
P5					



## ISY

### ZD1800 Pesì e Misure / Weights and Sizes

Peso ( Kg ) Weight ( lb )	3,87 ( Kg )	8,531802 ( lb )
Volume ( dc3 ) - ( in3 )	7,5 ( dc3 )	0,000458 ( in3 )
h ( mm ) - ( in )	90 ( mm )	3,543309 ( in )
L1 ( mm ) - ( in )	250 ( mm )	9,842525 ( in )
L2 ( mm ) - ( in )	333 ( mm )	13,1102433 ( in )

